

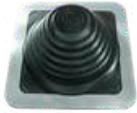
Master Flash[®]

UK Product Catalogue

Master Flash® — Product Overview

STANDARD

Solutions suitable for a wide range of applications. They can be mounted on pipes with diameters from 1 to 39-1/2" (0-1000 mm)
The flashing is installed by sliding it down the pipe or from the side of the pipe.



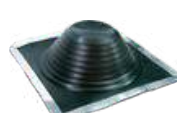
MASTER FLASH®
STANDARD



MASTER FLASH®
MULTI



MASTER FLASH®
RE TROFIT



MASTER FLASH®
FIX-A-FLASH



MASTER FLASH®
UNIVERSAL

FOR BITUMEN, SLATE AND CLAY-TILED ROOFS

Solutions designed for small-format roofing such as roofing felt, bitumen shingles, slate and clay tiles.
The large aluminium base allows for quick and easy installation.



MASTER FLASH®
RESIDENTIAL
ALUMINIUM



MASTER FLASH®
RESIDENTIAL
LEAD



MASTER FLASH® SOLAR
MULTI PORT ALUMINIUM



MASTER FLASH® SOLAR
MULTI PORT LEAD



MASTER FLASH®
VERTICAL TILE FLASH
ALUMINIUM

FOR ELECTRICAL INSTALLATIONS

Solutions designed for electrical installations for various types of equipment. They are used for the installation of solar panels, heat recovery systems, air conditioning or lighting masts and antennas.



MASTER FLASH®
MIDDY



MASTER FLASH®
SOLAR
MULTI-PORT MR



MASTER FLASH®
MULTI PORT

FOR SQUARE PROFILES

Solutions designed for use with square profiles. aluminium clamps or built-in latches allow for installation on existing installations.
There are variants available to fit different sizes of square profiles.



MASTER FLASH®
MULTI-FLASH
SQUARE VENT



MASTER FLASH®
RETROFIT
SQUARE VENT

FOR SPECIAL APPLICATIONS

Solutions designed for buildings with steeply sloping roofs. They allow pipes to be routed at angles of up to 90°. They also enable the sealing of irregularly shaped openings and passages around windows and chimneys.



MASTER FLASH®
EXTREME
ANGLE



MASTER FLASH®
SOLAR

FOR FACADES AND FLAT ROOFS

Solutions designed for flat roofs and passages through building walls.
They seal passages for taps, ventilation openings, and air conditioning pipes. These solutions are also used in industrial ventilation systems.



MASTER FLASH®
LOW-PROFILE

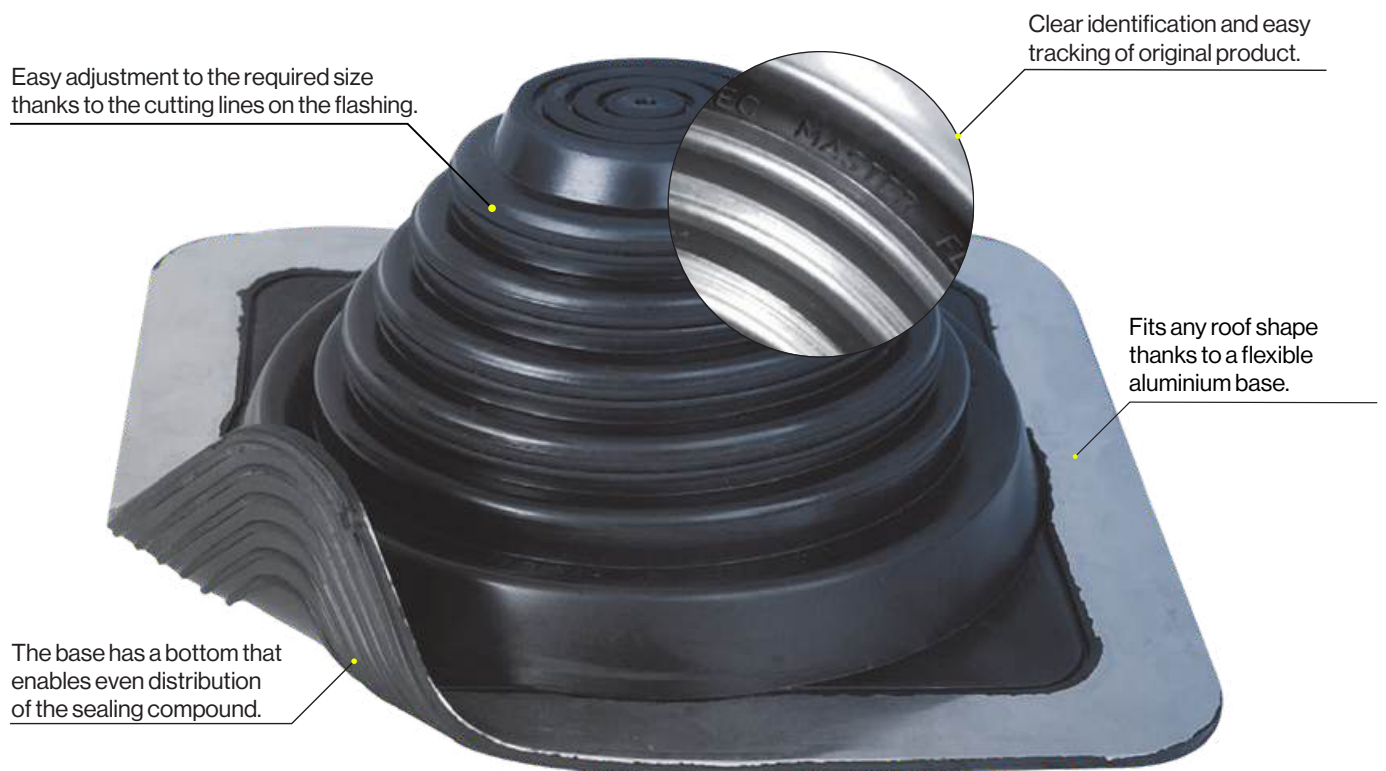


MASTER FLASH®
LOW-PROFILE
MULTI-FLASH

The Master Flash® product series provides a proven solution for sealing roof penetrations such as pipes, cables, chimneys and ventilation ducts. The flexible design allows the flashing to adapt to different diameters and roof profiles, ensuring a simple and reliable installation.

Characteristics of Master Flash® series products:

- Made of EPDM or silicone – materials resistant to low and high temperatures;
- Available in a wide range of versions and sizes that can be tailored to individual needs;
- Resistant to weather conditions such as precipitation, UV radiation, and ozone exposure;
- Installation possible in as little as 5 minutes – no specialised equipment required.

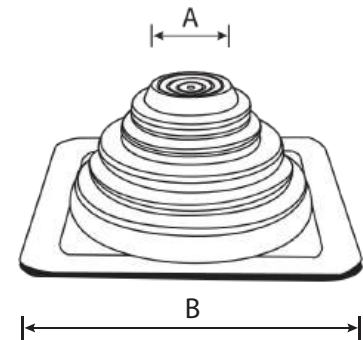


Master Flash®		EPDM 500	Silicone
OZONE RESISTANCE tested to:		70 h @500 pphm	70 h @ 500 pphm
HIGH TEMPERATURE RESISTANCE			
tested to:	temporary spike:	+135°C (+275°F)	+260°C (+500°F)
	constant conditions:	+100°C (+212°F)	+225°C (+437°F)
LOW TEMPERATURE RESISTANCE tested to:		-55°C (-67°F)	-74°C (-101°F)
TENSILE SET maximum:		10 MPa (1450 psi)	5 MPa (725 psi)
COMPRESSION SET maximum:		25%	50%

Master Flash® Standard

Our bestseller. A flexible solution at an affordable price.

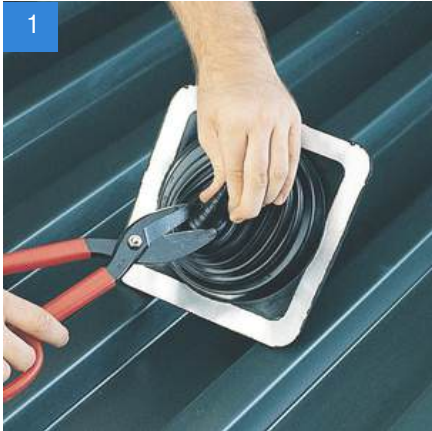
- Material: EPDM / silicone
- Installation range: pipe diameter from 1" to 39 - 1/2" (0-1000 mm)
- Installation: by sliding the flashing down the pipe
- Intended use: for various types of metal roofs
- Base: square
- Roof pitch: from 0° to 40°
- Warranty: 25 years



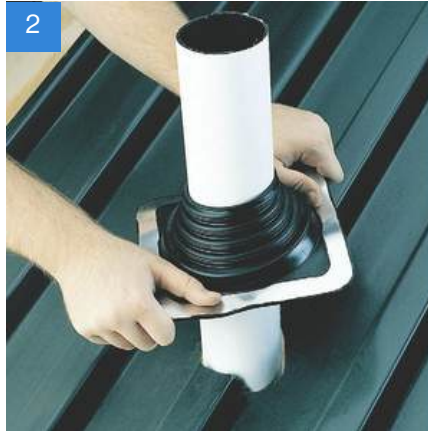
Master Flash® Standard

No.	Pipe Range	Roof pitch	Catalogue Number				A-Top Opening	B-Base Dimensions
			EPDM		Silicone			
			black	grey	red			
Mini	Closed - 1" (0 - 25 mm)	0-40°	SQ051BA	SQ051GA	SQ052RA	Closed	2 - 1/4" (57 mm)	
1	Closed - 2 - 3/4" (0 - 70 mm)	0-40°	SQ101BA	SQ101GA	SQ102RA	Closed	4 - 1/2" (114 mm)	
2	5/8" - 4" (15 - 101 mm)	0-40°	SQ201BA	SQ201GA	SQ202RA	5/8" (15 mm)	6" (152 mm)	
3	Closed - 5 - 3/4" (0 - 146 mm)	0-40°	SQ301BA	SQ301GA	SQ302RA	Closed	8" (203 mm)	
4	2 - 3/4" - 7" (69 - 177 mm)	0-40°	SQ401BA	SQ401GA	SQ402RA	2 - 3/4" (69 mm)	10" (254 mm)	
5	4" - 8 - 1/4" (101 - 209 mm)	0-40°	SQ501BA	SQ501GA	SQ502RA	4" (101 mm)	11" (279 mm)	
6	4 - 3/4" - 10" (121 - 254 mm)	0-40°	SQ601BA	SQ601GA	SQ602RA	4 - 3/4" (121 mm)	12" (304 mm)	
7	6" - 11" (152 - 279 mm)	0-40°	SQ701BA	SQ701GA	SQ702RA	6" (152 mm)	14" (355 mm)	
8	6 - 3/4" - 12" (171 - 304 mm)	0-40°	SQ801BA	SQ801GA	SQ802RA	6 - 3/4" (171 mm)	17" (431 mm)	
9	9 - 1/2" - 20 - 1/2" (241 - 520 mm)	0-40°	SQ901BA	SQ901GA	SQ902RA	9 - 1/2" (241 mm)	25" (635 mm)	
9X	6 - 1/4" - 20 - 1/2" (158 - 520 mm)	0-40°	SQ901BX	_____	_____	6 - 1/4" (158 mm)	25" (635 mm)	
Maxi Closed	Closed - 28 - 1/2" (0 - 724 mm)	0-40°	SQ951BA	_____	_____	Closed	34" (863 mm)	
Maxi Open	12" - 28 - 1/2" (304 - 724 mm)	0-40°	SQ951BA	_____	_____	12" (304 mm)	34" (863 mm)	
Maxi XL	12" - 39 - 1/2" (304 - 1000 mm)	0-40°	SQ961BA	_____	_____	12" (304 mm)	44" (1118 mm)	

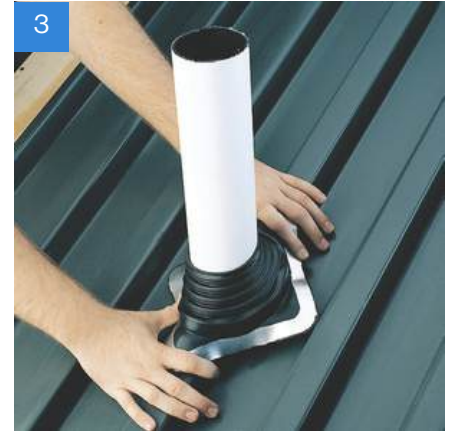
Installation — Master Flash® Standard



1
Select an appropriate Master Flash® Standard. If necessary, use the lines clearly shown on the flashing to trim an opening 20% smaller than the pipe diameter. For the steep roof slopes or higher corrugation of the profile, a larger Master Flash® size should be selected.



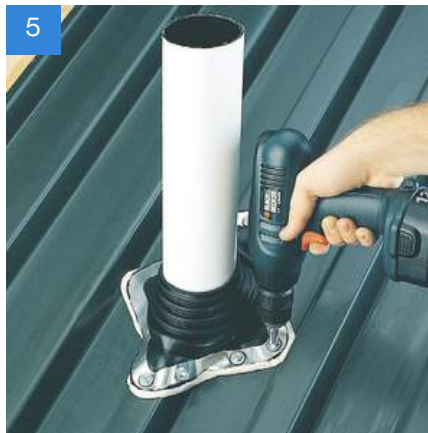
2
Slide the Master Flash® down the pipe.



3
Press the Master Flash® Standard down and bend it to match the roof profile or surface irregularities. A blunt tool will help to form flashing to tight roof angles.



4
Apply sealant between the base of the flashing and the roof.



5
Use fasteners to complete sealing. For a secure installation, fastener spacing must not exceed 1.5" (38 mm).

Installation kit — Master Flash® Set

For all types of Master Flash® we offer dedicated installation kits that include:

- silicone;
- a set of screws.

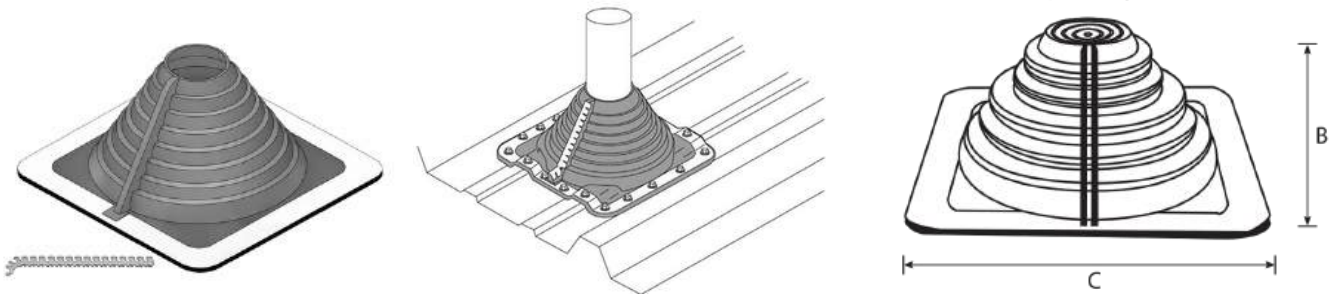


Master Flash® Multi

A series of products with the widest range of applications.

Master Flash® Multi can be cut and installed from the side of the pipe.

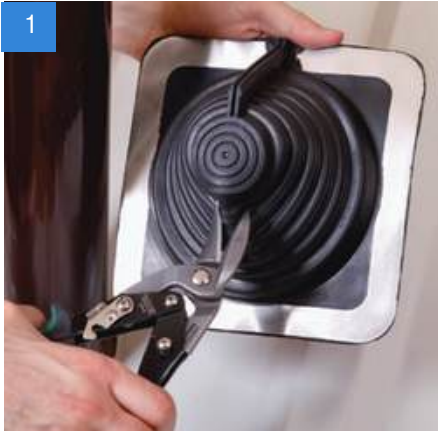
- Material: EPDM / silicone
- Installation range: pipe diameter from 0" to 28 - 1/2" (0-724 mm)
- Installation: by sliding the flashing down or from the side of the pipe
- Intended use: for various types of metal roofs
- Base: square
- Roof pitch: 0° to 40°
- Warranty: 25 years



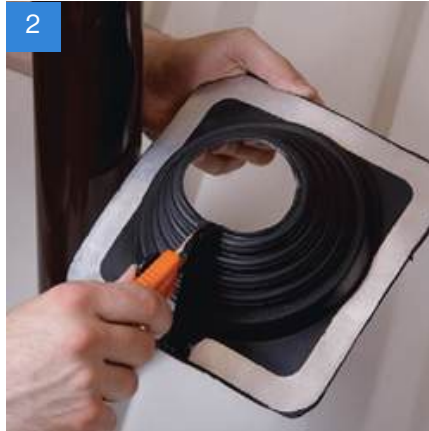
Master Flash® Multi

No.	Pipe Range		Roof pitch	Catalogue Number		A-Top Opening Diameter	B-Overall height	C-Base Dimensions
	standard	retrofit		black EPDM	red silicone			
2	5/8" - 4" (15 - 101 mm)	2 - 1/8" - 3 - 7/8" (28 - 98 mm)	0-40°	MF201BA-G	MF202RA-G	5/8" (15 mm)	2 - 3/4" (70 mm)	6" (152 mm)
3	Closed - 5 - 3/4" (0-146 mm)	2" - 5" (50 - 127 mm)	0-40°	MF301BA-G	MF302RA-G	Closed	3" (76 mm)	8" (203 mm)
4	2 - 3/4" - 7" (69 - 177 mm)	3" - 6 - 1/2" (76 - 165 mm)	0-40°	MF401BA-G	MF402RA-G	2 - 3/4" (69 mm)	4 - 3/4" (121 mm)	10" (254 mm)
5	4" - 8 - 1/4" (101 - 203 mm)	2" - 5" (50 - 127 mm)	0-40°	MF501BA-G	MF502RA-G	4" (101 mm)	4 - 1/2" (114 mm)	11" (279 mm)
6	4 - 3/4" - 10" (121 - 254 mm)	3 - 3/4" - 7" (95 - 177 mm)	0-40°	MF601BA-G	MF602RA-G	4 - 3/4" (121 mm)	4 - 1/2" (114 mm)	12" (304 mm)
7	6" - 11" (152 - 279 mm)	4 - 1/2" - 8 - 1/2" (114 - 215 mm)	0-40°	MF701BA-G	MF702RA-G	6" (152 mm)	5 - 1/2" (140 mm)	14" (355 mm)
8	6 - 3/4" - 12" (171 - 304 mm)	5 - 1/4" - 10" (133 - 254 mm)	0-40°	MF801BA-G	MF802RA-G	6 - 3/4" (171 mm)	5 - 3/4" (146 mm)	17" (431 mm)
9	9 - 1/2" - 20 - 1/2" (241 - 520 mm)	6 - 1/2" - 12 - 3/4" (165 - 323 mm)	0-40°	MF901BA-G	MF902RA-G	9 - 1/2" (241 mm)	5 - 3/4" (146 mm)	25" (635 mm)
Maxi	12" - 28 - 1/2" (304 - 723 mm)	9 - 1/4" - 20 - 1/2" (234 - 520 mm)	0-40°	MF951BA-G	MF952RA-G	12" (304 mm)	7 - 1/2" (190 mm)	34" (863 mm)

Installation — Master Flash® Multi



1 Select an appropriate Master Flash® Multi. If necessary, follow the lines clearly shown on the flashing and create an opening 20% smaller than pipe diameter. For the steep roof slopes or higher corrugation of the profile, bigger size of Master Flash® Multi should be chosen.



2 If you are using this product on an existing installation and it is not possible to slide it on from above, cut the side at the clearly marked point on the Master Flash® Multi.



3 Slide the Master Flash® Multi onto the pipe from the side.



4 Press Master Flash® Multi down, bending it to conform to roof profile or irregularities. A blunt tool will help to form flashing to tight roof angles.



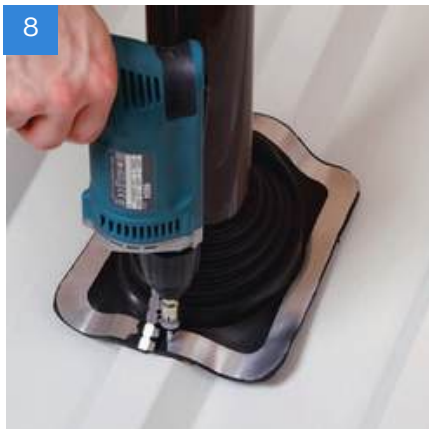
5 Apply sealant between the base of the flashing and the roof, as well as at the cut location.



6 Place the stainless steel gripper on the Master Flash® Multi to close and secure the product.



7 Tighten the stainless steel gripper.

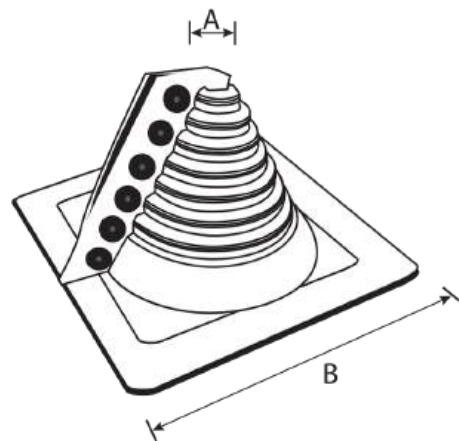
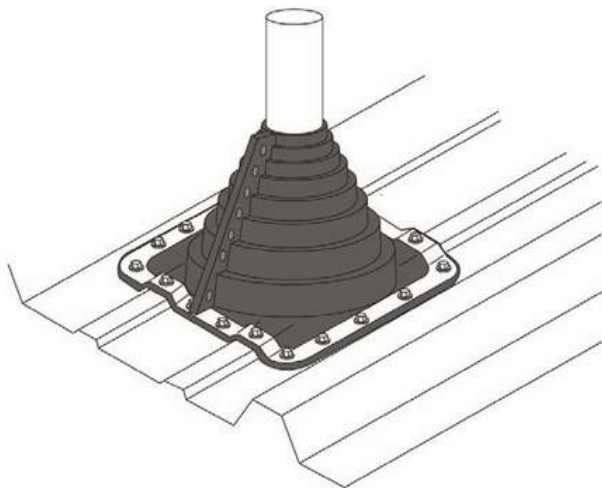


8 Use fasteners to complete sealing. For a secure installation, fastener spacing must not exceed 1.5" (38 mm).

Master Flash® Retrofit

Flange designed for existing installations where it is not possible to slide the seal onto the top of the pipe.

- Material: EPDM / silicone
- Installation range: pipe diameter from 7/8" to 17" (22–431 mm)
- Installation: by sliding the flashing from the side of the pipe
- Intended use: for various types of metal roofs
- Base: square
- Roof pitch: from 0° to 40°
- Warranty: 25 years



Master Flash® Retrofit

No.	Pipe Range	Roof pitch	Catalogue Number		A-Top Opening Diameter	B-Base Dimensions
			black EPDM	red silicone		
1	7/8" - 4" (22 - 101 mm)	0-40°	RF101BP	RF102RS	7/8" (22 mm)	8" (203 mm)
2	4" - 9" (101 - 228 mm)	0-40°	RF201BP	RF202RS	4" (101 mm)	14" (355 mm)
3	9 - 1/2" - 17" (241 - 431 mm)	0-40°	RF301BP	RF302RS	9 - 1/2" (241 mm)	21 - 1/2" (546 mm)

Installation — Master Flash® Retrofit



1 Select the appropriate Master Flash® Retrofit. If necessary, trim the opening to fit the pipe diameter.



2 Slide Master Flash® Retrofit sideways onto the pipe.



3 Secure Master Flash® Retrofit around the pipe using the plastic clamps provided to seal the flange.



4 Apply the sealant to the area between the flange and the roof surface.



5 Use self-tapping screws to attach Master Flash® Retrofit to the substrate.

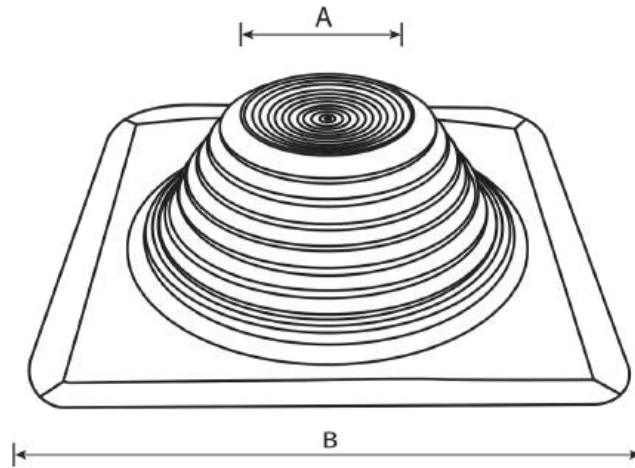
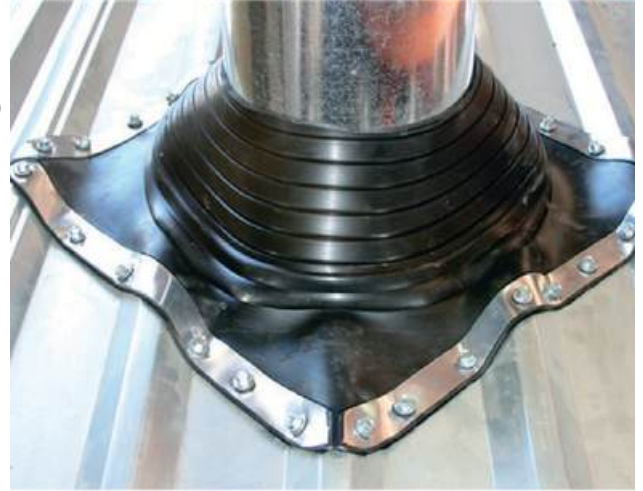


6 Drill holes in the flange for the fastening strap. Thread the strap through the hole. Tighten the fastening strap securely to ensure a proper seal. Additional sealant can be applied between the flange and the pipe.

Master Flash® Fix-A-Flash

Roof flashing designed to correct roofing errors. It is ideal for passages where the opening is much larger than the pipe.

- Material: EPDM / silicone
- Installation range: pipe diameter from 0" to 15 - 1/2" (0-393 mm)
- Installation: by sliding the flashing down the pipe
- Intended use: for various types of metal roofs
- Base: square
- Roof pitch: 0° to 40°
- Warranty: 25 years



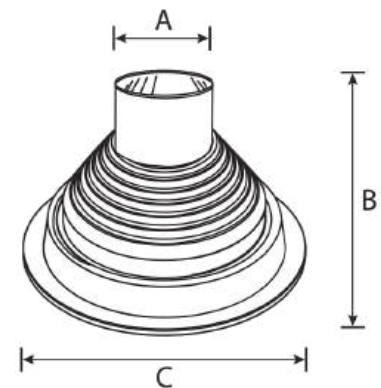
Master Flash® Fix-A-Flash

No.	Pipe Range	Roof pitch	Catalogue Number		A-Top Opening	B-Base Dimensions
			black EPDM	red silicone		
1	Closed - 15 - 1/2" (0 - 393 mm)	0°-40°	FF851BC	FF852RC	Closed	19 - 1/2" (496 mm)

Master Flash® Universal

Ideal solution for sealing multiple passages next to each other. Product with a smaller base area.

- Material: EPDM / silicone
- Installation range: pipe diameter from 0" to 20" (0-508 mm)
- Installation: by sliding the flashing down the pipe
- Intended use: for various types of metal roofs
- Base: round
- Roof pitch: 0° to 45°
- Warranty: 25 years



Master Flash® Universal

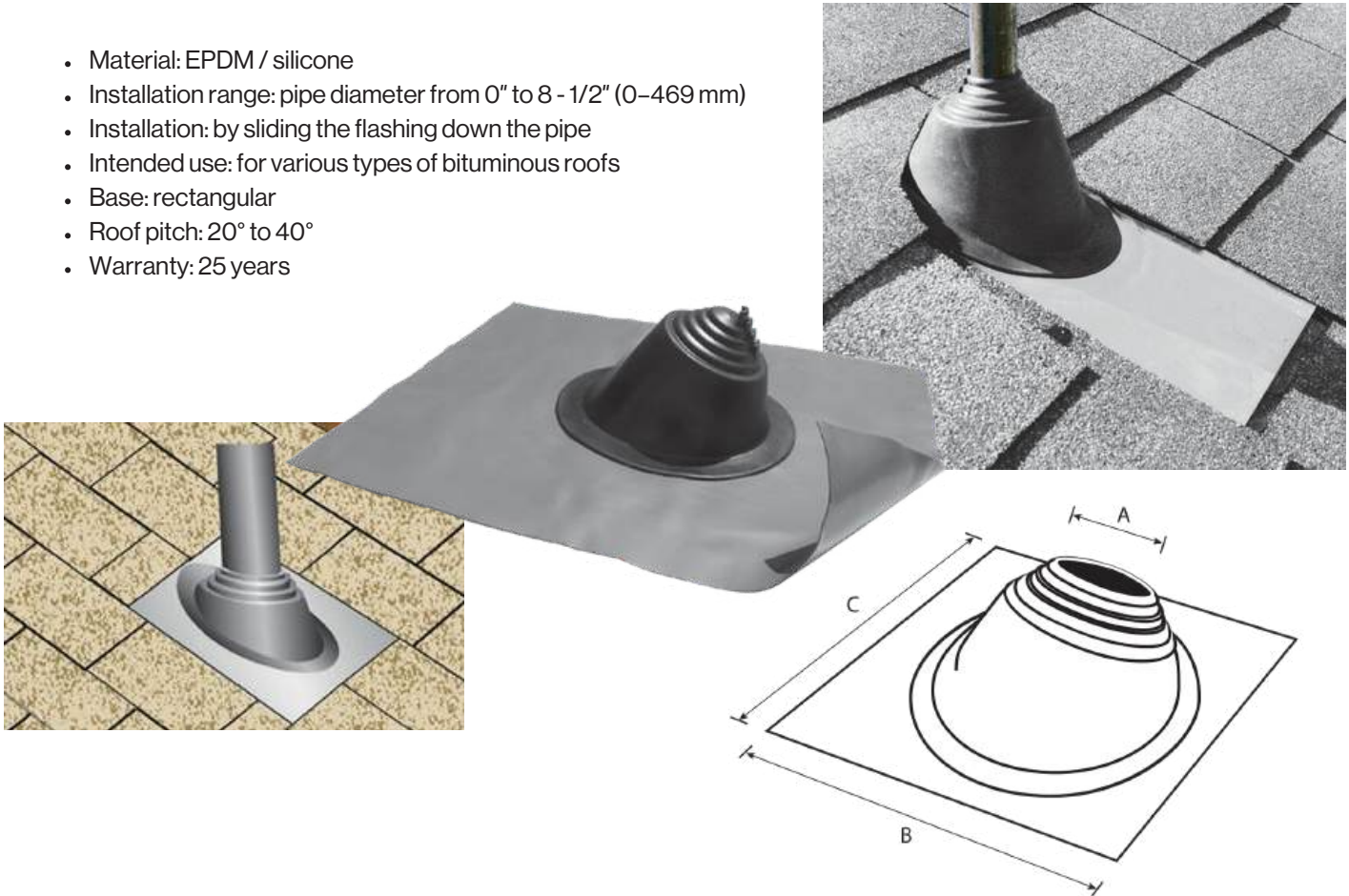
No.	Pipe Range	Roof pitch	Catalogue Number		A-Top Opening	B-Overall Height	C-Base Dimensions
			EPDM grey	Silicone red			
1	*Closed - 1 - 1/2" (0 - 63 mm)	0-45°	RD101GG	RD102RA	Closed	2 - 7/8" (73 mm)	4 - 3/4" (120 mm)
2	1 - 3/4" - 3" (45 - 76 mm)	0-45°	RD201GG	RD202RA	1 - 3/4" (45 mm)	3 - 1/2" (88 mm)	6 - 1/4" (158 mm)
3	*Closed - 5" (0 - 127 mm)	0-45°	RD301GG	RD302RA	Closed	3 - 3/4" (95 mm)	7 - 3/4" (196 mm)
4	3" - 6 - 1/4" (75 - 160 mm)	0-45°	RD401GG	RD402RA	3" (75 mm)	4" (101 mm)	9 - 1/4" (234 mm)
5	4 - 1/4" - 7 - 1/2" (108 - 190 mm)	0-45°	RD501GG	RD502RA	4 - 1/4" (108 mm)	4 - 1/2" (114 mm)	10 - 1/2" (266 mm)
6	5" - 9" (127 - 228 mm)	0-45°	RD601GG	RD602RA	5" (127 mm)	4 - 3/4" (120 mm)	12 - 1/2" (317 mm)
7	6" - 11" (150 - 280 mm)	0-45°	RD701GG	RD702RA	6" (150 mm)	6" (150 mm)	14 - 1/2" (368 mm)
8	7" - 13" (175 - 330 mm)	0-45°	RD801GG	RD802RA	7" (175 mm)	6 - 1/2" (165 mm)	16 - 1/2" (412 mm)
9	9" - 20" (228 - 508 mm)	0-45°	RD901GG	RD902RA	9" (228 mm)	8 - 3/4" (222 mm)	25 - 1/4" (641 mm)

* #1 Universal and #3 Universal models may have a small hole at the top (a few mm in diameter). This is not a full opening; however, the product is not completely closed in such cases. This should be taken into account if the product is to be used as a hole cover.

Master Flash® Residential Aluminium Master Flash® Residential Lead

The aluminium base of the flashing allows for an ideal fit on bituminous roofs.

- Material: EPDM / silicone
- Installation range: pipe diameter from 0" to 8 - 1/2" (0-469 mm)
- Installation: by sliding the flashing down the pipe
- Intended use: for various types of bituminous roofs
- Base: rectangular
- Roof pitch: 20° to 40°
- Warranty: 25 years



Master Flash® Residential Aluminium

No.	Pipe Range	Roof pitch	Catalogue Number		A-Top Opening	B x C-Aluminium Base Dimensions
			black EPDM	red silicone		
1	3" - 8" (76 - 203 mm)	20-40°	RS101BA	RS102RA	2 - 3/4" (69 mm)	20" x 24" (508 x 609 mm)
2	8" - 11" (203 - 279 mm)	20-40°	RS201BA	RS202RA	7" (177 mm)	26" x 30" (660 x 762 mm)
3	11" - 18" (279 - 457 mm)	20-40°	RS301BA	RS302RA	11" (279 mm)	35" x 35" (889 x 889 mm)

Master Flash® Residential Lead

No.	Pipe Range	Roof pitch	Catalogue Number		A-Top Opening	B x C-Aluminium Base Dimensions
			black EPDM	red silicone		
1	3" - 8" (76 - 203 mm)	20-45°	RL101BA	—	2 - 1/2" (63 mm)	20" x 24" (508 x 609 mm)
2	8" - 11" (203 - 279 mm)	20-45°	RL201BA	—	5 - 5/8" (142 mm)	26" x 30" (660 x 762 mm)
3	11" - 18" (279 - 457 mm)	20-45°	RL301BA	—	8 - 3/4" (222 mm)	35" x 35" (889 x 889 mm)

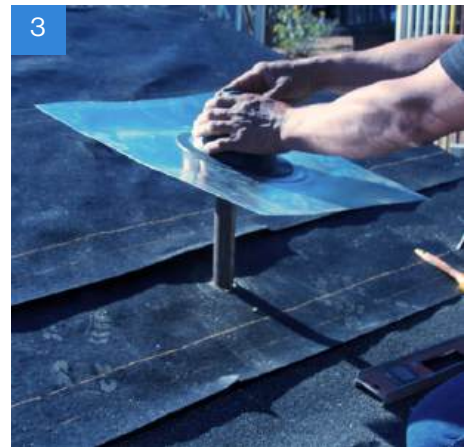
Installation — Master Flash® Residential



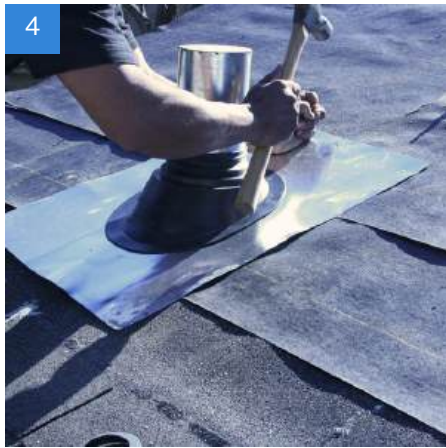
Adjust the flashing to the correct pipe diameter.



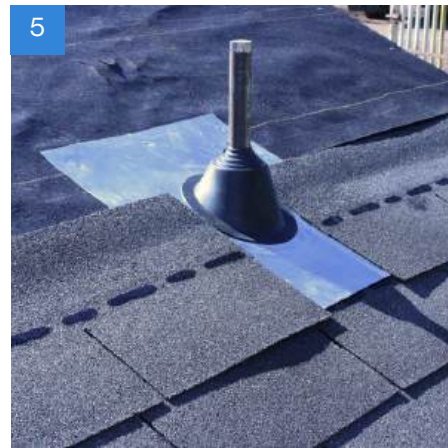
Apply sealant to the underside of the metal base.



Slide the flange onto the pipe.



Secure the metal base with nails and a hammer.



Install the roof tiles along the sides of the Master Flash®.

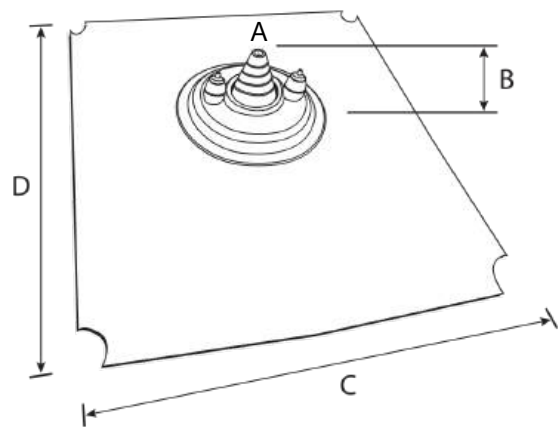
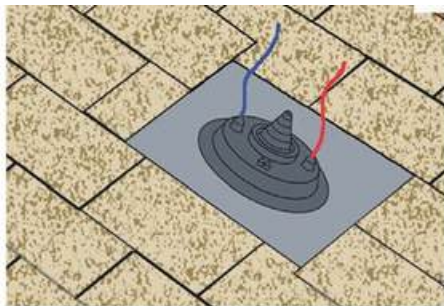


Finish installing the roof around the roof flashing.

Master Flash® Solar Multi Port Aluminium Master Flash® Solar Multi Port Lead

Designed for routing pipes for solar panels and electrical installations through bituminous roofs.

- Material: EPDM
- Installation range: pipes with a diameter from 0" to 1 - 15/16" (0-49 mm)
- Installation: by sliding the flashing down the pipe
- Intended use: for various types of bituminous roofs
- Base: rectangular
- Roof pitch: 20° to 45°
- Warranty: 25 years



Master Flash® Solar Multi Port Aluminium

No.	Pipe Range	Roof pitch	Catalogue Number black EPDM	A-Top Opening	B-Overall Height	C x D-Base Dimensions
1	One port 0" - 1 - 15/16" (0 - 49 mm)	20°-45°	SMP-RS101BA	Closed	2 - 1/2" (63 mm)	17 - 3/4" x 24" (450 x 600 mm)
	Two ports 1/64" - 3/8" (1 - 9 mm)					
	Two ports 3/16" - 15/16" (4 - 23 mm)					

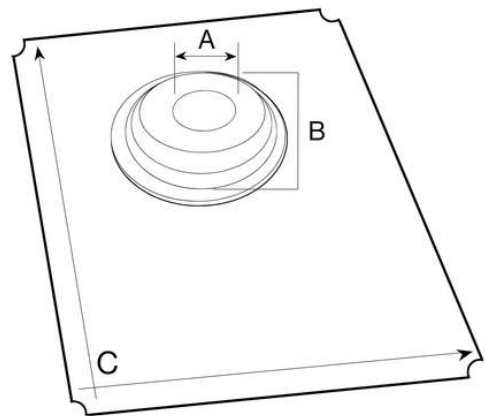
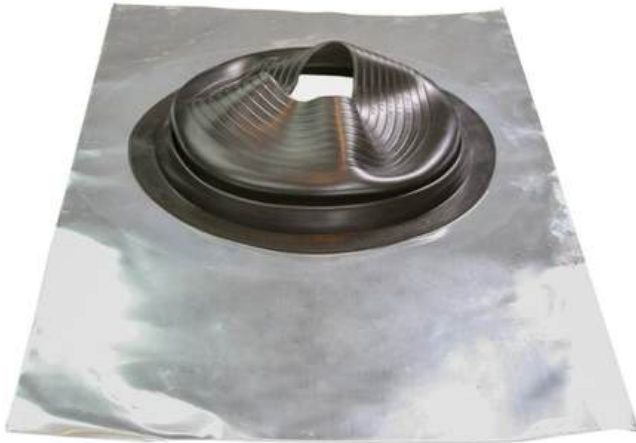
Master Flash® Solar Multi Port Lead

No.	Pipe Range	Roof pitch	Catalogue Number black EPDM	A-Top Opening	B-Overall Height	C x D-Base Dimensions
1	One port 0" - 1 - 15/16" (0 - 49 mm)	20°-45°	SMP-LD101BA	Closed	2 - 1/2" (63 mm)	16" x 19 - 1/4" (450 x 600 mm)
	Two ports 1/64" - 3/8" (1 - 9 mm)					
	Two ports 3/16" - 15/16" (4 - 23 mm)					

Master Flash® Vertical Tile Flash Aluminium

Solution for sealing pipe penetrations in flat roofs. Provides a secure, durable seal for roofing systems including bitumen and flat tile roofs.

- Material: EPDM
- Installation range: pipes with a diameter from 2" – 13" (50-330mm)
- Installation: by sliding the flashing down the pipe
- Intended use: flat roofing systems incl. bitumen and flat tile roofs
- Base: rectangular
- Roof pitch: 20° to 45°
- Warranty: 25 years



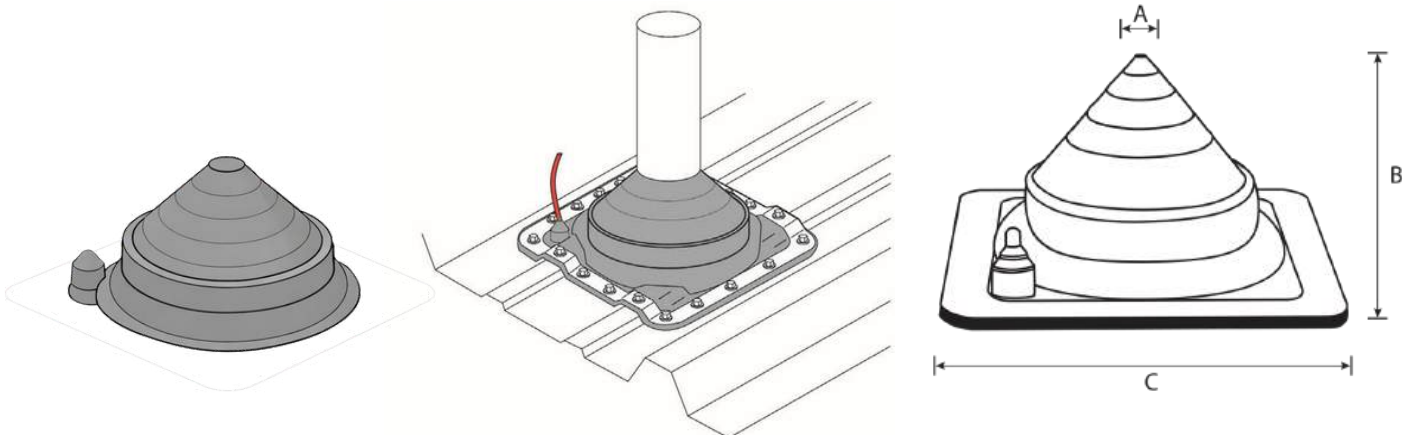
Master Flash® Vertical Tile Flash Aluminium

No.	Pipe Range	Roof pitch	Catalogue Number black EPDM	A-Top Opening	B-Cut to suit pipe size	C-Base Dimensions
4	2" – 6 - 3/4" (50 – 170mm)	20°-45°	TFALV-4B	2" (50mm)	2" – 6 - 11/16" (50 - 170 mm)	17 - 1/2" × 23 - 7/16" (445 × 595 mm)
5	7" – 13" (175 – 330mm)	20°-45°	TFALV-5B	7" (175 mm)	7" – 13" (175 - 330 mm)	21 - 1/16" × 32 - 7/8" (535 × 835 mm)

Master Flash® Middy

Flashings from Middy series enable the passage of elements with a very small diameter.

- Material: EPDM
- Installation range: pipe diameter from 0" to 2 - 3/8" (0-60 mm)
- Installation: by sliding the flashing down the pipe
- Intended use: for various types of metal roofs
- Application: photovoltaic installations
- Base: square
- Roof pitch: from 0° to 45°
- Warranty: 25 years



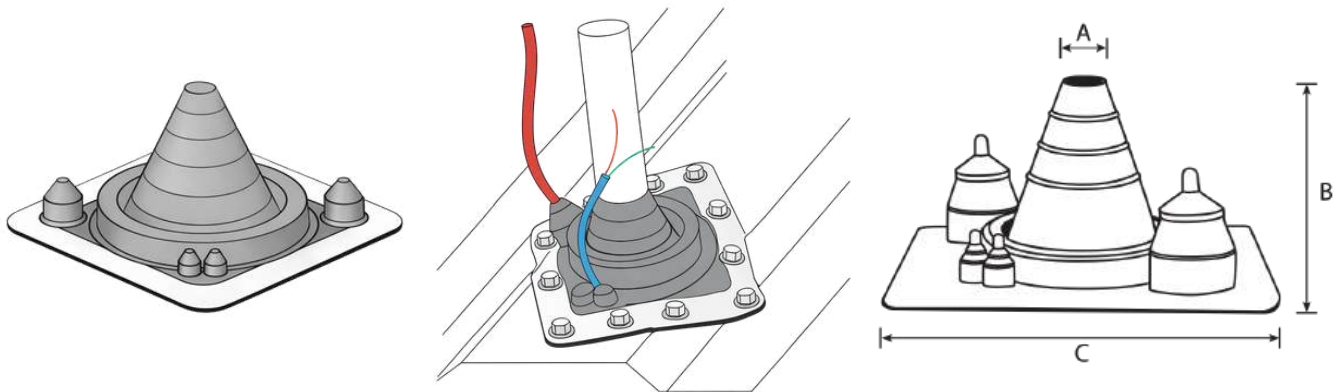
Master Flash® Middy

No.	Pipe Range	Roof pitch	Catalogue Number black EPDM	A-Top Opening	B-Overall height	C-Base Dimensions
1	One central port for 0" - 2 - 3/8" (0 - 60 mm) pipe /cable	0-40°	SQO81BA	Closed	2 - 1/8" (53 mm)	3 - 3/4" (95 mm)
	One port for 1/64" - 3/8" (1 - 9 mm) pipe /cable					

Master Flash® Solar Multi-Port Metal Roof

Designed for routing pipes from air conditioning or photovoltaic installations. It has 5 dedicated ports.

- Material: EPDM
- Installation range: pipe diameter from 0" to 1 - 15/16" (0-49 mm)
- Installation: by sliding the flashing down the pipe
- Intended use: for various types of metal roofs
- Application: intended for air conditioning systems
- Base: square
- Roof pitch: 0° to 40°
- Warranty: 25 years



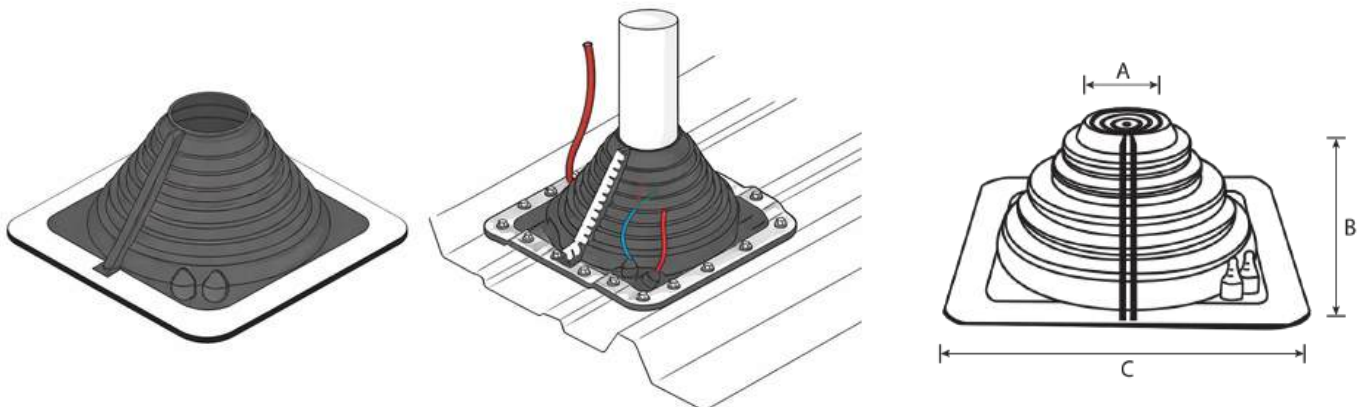
Master Flash® Solar Multi-Port Metal Roof

No.	Pipe Range	Roof pitch	Catalogue Number black EPDM	A-Top Opening	B-Overall Height	C-Base Dimensions
1	One central port 0" - 1 - 15/16" (0 - 49 mm) pipe	0-40°	SMP-MR101BA	Closed	2 - 1/2" (63 mm)	4 - 1/2" (114 mm)
	Two ports 0" - 3/8" (0 - 9 mm) pipe / cable					
	Two ports 0" - 15/16" (0 - 23 mm) pipe / cable					

Master Flash® Multi Port

A solution designed for routing pipes from air conditioning or photovoltaic installations.

- Material: EPDM
- Installation range:
 - » Standard: pipe diameter from 0" to 2 - 3/4" (0-70 mm);
 - » Multi: pipe diameter from 1 - 1/4" to 2 - 1/4" (31-57 mm);
- Installation: by sliding the flashing down the pipe or from the side of the pipe
- Application: compatible with photovoltaic installations
- Intended use: for various types of metal roofs
- Base: square
- Roof pitch: from 0° to 40°
- Warranty: 25 years



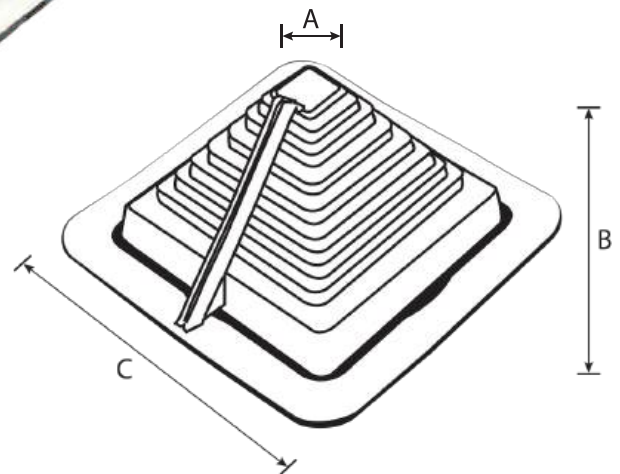
Master Flash® Multi Port

No.	Pipe Range		Roof pitch	Catalogue Number	A-Top Opening Diameter	B-Overall height	C-Base Dimensions
	standard	retrofit		black EPDM			
1	Closed - 2 - 3/4" (0 - 70 mm)	1 - 1/4" - 2 - 1/4" (31 - 57 mm)	0-40°	MP101BA-G	Closed	2 - 1/4" (57 mm)	4 - 1/2" (114 mm)

Master Flash® Square Vent Multi

This flexible roof transition is designed for sealing square profiles and ducts. It is applied to the pipe from the side when sliding it on from above is not possible.

- Material: EPDM
- Installation range:
 - » Standard: pipe diameters from 0" to 5" (0-127 mm);
 - » Multi: pipes diameters from 3/4" to 4 - 1/2" (20 - 115 mm);
- Installation: by sliding the flashing down the pipe or from the side of the pipe
- Intended use: for various types of metal roofs
- Base: square
- Roof pitch: from 0° to 40°
- Warranty: 25 years



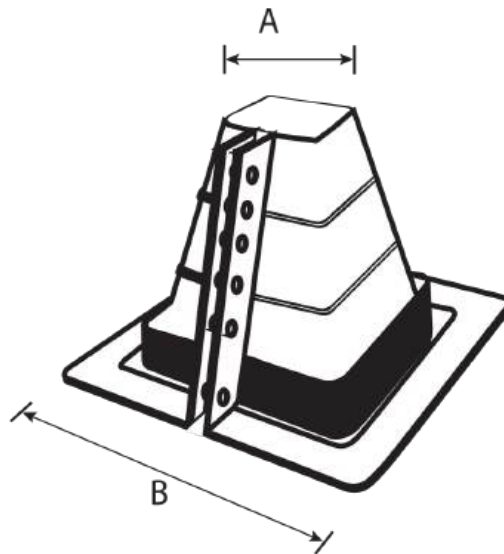
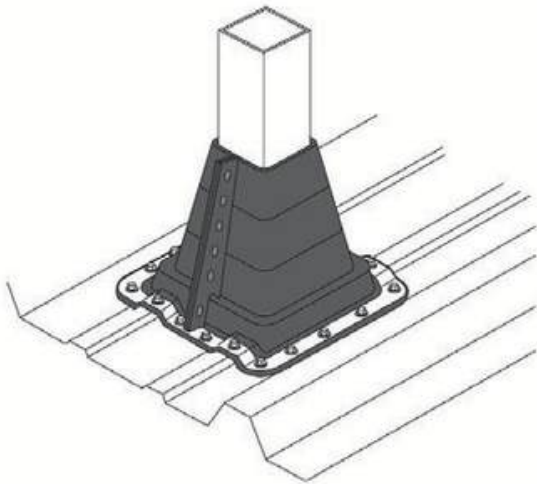
Master Flash® Square Vent Multi

No.	Pipe Range		Roof pitch	Catalogue Number Black EPDM	A-Top Opening	B-Overall height	C-Base Dimensions
	standard	retrofit					
1	Closed - 5" (0 - 127 mm)	3/4" - 4 - 1/2" (20 - 115 mm)	0-40°	MFSQ101BA	Closed	2 - 3/4" (69 mm)	8" (203 mm)

Master Flash® Retrofit Square Vent

Flashing designed for square profiles and ventilation openings.
 Ideal when installation is not possible by sliding the flashing down the pipe.

- Material: EPDM
- Installation range: pipes diameter from 2-1/2" to 5-1/2" (63-139 mm)
- Installation: by sliding the flashing from the side of the pipe
- Application: designed for various types of square profiles
- Intended use: for various types of metal roofs
- Base: square
- Roof pitch: from 0° to 40°
- Warranty: 25 years



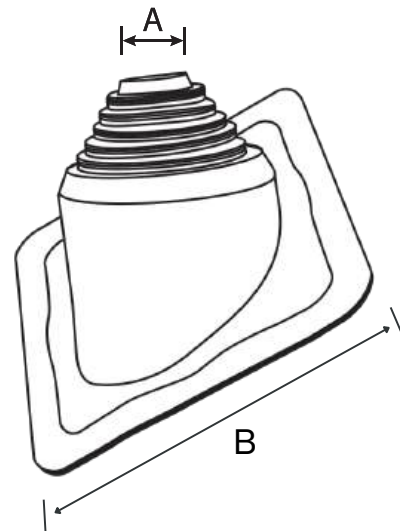
Master Flash® Retrofit Square Vent

No.	Pipe Range	Roof pitch	Catalogue Number Black EPDM	A-Top Opening Diameter	B-Base Dimensions
2	2-1/4" - 5-1/2" (57 - 139 mm)	0-40°	RF201BP-SQ	2-1/4" (57 mm)	16-3/4" (425 mm)

Master Flash® Extreme Angle

Roof flashing designed for roofs with a steep slope.

- Material: EPDM / silicone
- Installation range: pipe diameter from 0" to 8" (0–203 mm)
- Installation: by sliding the flashing down the pipe
- Intended use: for various types of metal roofs
- Base: square
- Roof pitch: from 35° to 65°
- Warranty: 25 years



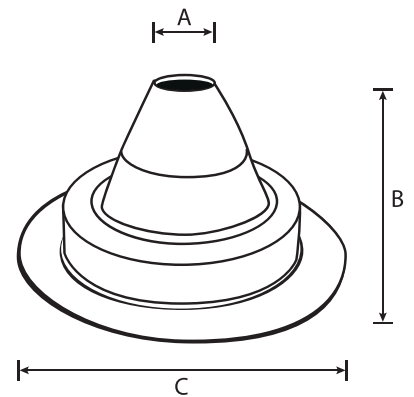
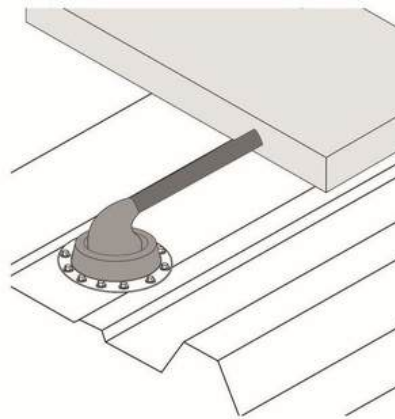
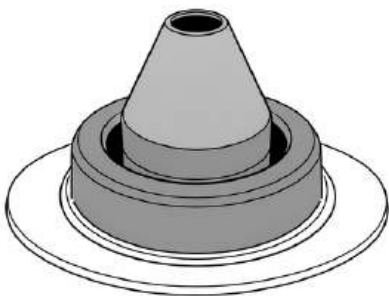
Master Flash® Extreme Angle

No.	Pipe Range	Roof pitch	Catalogue Number		A-Top Opening	B-Base Dimensions
			black EPDM	red silicone		
1	Closed - 5 - 3/4" (0 - 146 mm)	35-65°	EA101BA	EA102RA	Closed	11" (279 mm)
2	4" - 8" (101 - 203 mm)	35-65°	EA201BA	EA202RA	4" (101 mm)	14 - 1/4" (362 mm)

Master Flash® Solar

The diameter of the flashing hole is adapted to hydraulic pipes for solar installations.

- Material: EPDM
- Installation range: pipe diameters from 3/4" to 1-1/8" (19–28 mm)
- Installation: by sliding the flashing down the pipe
- Application: designed for sealing pipes in solar water heating systems
- Base: round
- Roof pitch: from 0° to 90°
- Warranty: 25 years



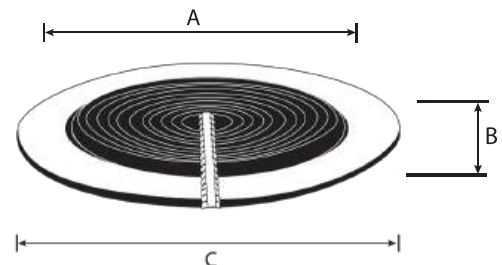
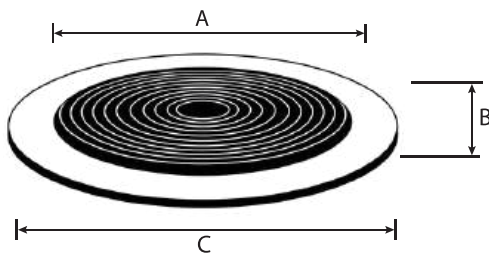
Master Flash® Solar

No.	Pipe Range	Roof pitch	Catalogue Number black EPDM	A-Top Opening Diameter	B-Overall Height	C-Base Diameter
1	3/4" - 1-1/8" (19 - 28 mm)	0-90°	SF101BA	3/4" 19 mm	2 - 1/4" (57 mm)	4" (101 mm)

Master Flash® Low-Profile Master Flash® Low-Profile Multi

A solution dedicated to sealing passages through building walls.

- Material: EPDM / silicone
- Installation range: pipe diameters from 0" to 12-1/2" (0–318 mm)
- Installation: by sliding the flashing down the pipe or from the side of the pipe
- Application: intended for passages through building walls
- Intended use: for various types of metal roofs
- Base: round
- Roof pitch: from 0° to 90°
- Warranty: 25 years



Flash® Low-Profile

No.	Pipe Range	Roof pitch	Catalogue Number			A-Top Opening Diameter	B-Overall Height	C-Base Dimensions
			grey EPDM	black EPDM	white silicone			
1	Closed - 3 - 3/4" (0 - 95 mm)	0-90°	LP101GA	LP101BA	LP102WT	Closed - 3 - 3/4" (0 - 95 mm)	5/16" (8 mm)	6 - 1/4" (158 mm)
2	Closed - 8" (0 - 203 mm)	0-90°	LP201GA	LP201BA	LP202WT	Closed - 8" (0 - 203 mm)	5/16" (8 mm)	10 - 3/4" (273 mm)
3	Closed - 12 - 1/2" (0 - 318 mm)	0-90°	LP301GA	LP301BA	LP302WT	Closed - 12 - 1/2" (0 - 318 mm)	5/16" (8 mm)	16 - 1/2" (419 mm)

Master Flash® Low-Profile Multi

No.	Pipe Range	Roof pitch	Catalogue Number	A-Top Opening Diameter	B-Overall Height	C-Base Dimensions
			white silicone			
1	Closed - 3 - 3/4" (0 - 95 mm)	0-90°	LP102WT-G	Closed - 3 - 3/4" (0 - 95 mm)	5/16" (8 mm)	6 - 1/4" (158 mm)



Aztec (UK) Ltd.

Unit 55 Enterprise Trading Estate,
Hurst Lane, Pedmore Road, Brierley Hill,
West Midlands, DY5 1TX (United Kingdom)

+44 (0) 1384 573444
sales@aztecmaster-flash.co.uk

www.aztecmaster-flash.co.uk

Other European affiliate:
Aztec International S.A.
ul. Sowia 13 C,
62-080 Tarnowo Podgórne, Poland

(+48) 61 867 60 85
export@aztec-international.eu

www.master-flash.eu
www.aztec-international.eu

In cooperation with:
Aztec Washer Company, Inc.
13821 Danielson Street, Poway,
CA 92064, 1-800-WASHER 5
(Outside Calif.), USA

1-858-513-4305
www.aztecwasher.com

MASTER FLASH® IS A REGISTERED TRADEMARK OF AZTEC INTERNATIONAL S.A.

@2026 AZTEC INTERNATIONAL S.A.